

## SECTION 12

# RJ45-IP67 INDUSTRIAL ETHERNET CONNECTOR SYSTEM

---

The RJ45 connector is the most used interface in data communications.

In Ethernet networks, this proven connector assures quick, secure communications between all devices connected in a network

The ethernet network technology has now been made "industry capable" as an Industrial Ethernet version. Naturally this required some adaptation to different requirements and harsher environmental conditions. This applies equally to the connection technology employed. The focus here was to provide increased protection for the connector system against contamination and moisture (IP67 rating). Furthermore, there are also increased demands for mechanical stability, temperature resistance, vibration immunity and protection against EMI/RFI.

In addition to protection against ambient influences in a connected state, the handling aspects to make quick, reliable connections also plays an important role.

Complex connections and assembly procedures are time-consuming and, in a harsh environment, represent an increased risk for systems and equipment.

For industrial real-time-Ethernet, CONEC has developed a RJ45 connector type with a bayonet latching mechanism according to the IEC 61076-3-106 standard.

This robust design with IP67 rating ensures reliable protection and easy connection under harsh environmental conditions.





#### Example applications:

- Industrial production, CNC machines
- Communications equipment
- Food & Beverage and chemical process controllers
- Mass transportation
- Oil exploration
- Industrial process control
- Diagnostic and instrument
- Printers, displays
- Factory automation
- Outdoor telecommunications systems

The mating counterpart consists of a RJ45 Cat. 5e plug set with IP67 rating. This program is supplemented by preassembled patch cables with IP67 rating in various lengths and designs.

A socket connector with IP67 rating, bayonet coupling and protective cap is available for installation into equipment.

It can be mounted on the front side or rear side of an enclosure panel having up to 3.2 mm thickness and is available in three designs.



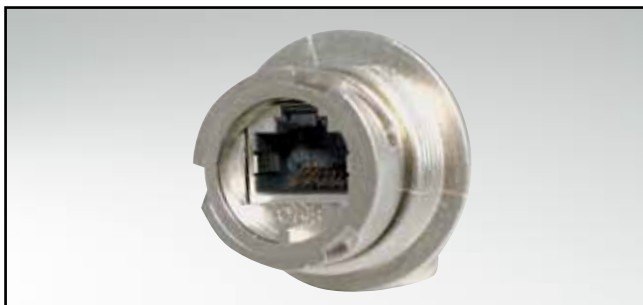
# TECHNICAL DATA

<b>Mechanical and electrical characteristics</b>	
Interface connector	RJ45 Cat. 5e per EIA/TIA-568-B2
Lock mechanism	Bayonet socket connector per IEC 61076-3-106
IP Degree of protection	IP67
Temperature range	-40°C to + 85°C
Strength of current	1.2 A max. to 25°C
Voltage	100 VDC
Contact resistance	20 mΩ max.
Insulation resistance	500 mΩ min.
Electric strength contact to contact	1000 VDC/60 sec.
Electric strength contact to metal Housing	1500 VDC/60 sec.
<b>Materials</b>	
Housing	PBT (black) or ABS metallized (nickel plated), flame protection per UL 94-V0
Fastening nut	Brass nickel plated
Housing sealing	Silicone (white)
RJ45 Socket metal housing	Copper alloy, nickel plated
RJ45 Socket and plug connector plastic housing	PBT (black), flame protection per UL 94-V0
RJ45 Socket and plug contacts	Phosphor bronze, gold plated
Connector housing	PBT (black) or ABS metallized (nickel plated), flame protection peer UL 94-V0
Metal socket coupling ring	PBT (black) or ABS metallized (nickel plated), flame protection per UL 94-V0, or zinc die-cast (nickel plated)
Cable termination	PBT (black) or brass nickel plated, flame protection per UL 94-V0
Cable seal	NBR (black)
Interface seal	Silicone (white)
RJ45 plug connector metal housing	Copper alloy, nickel plated
Protection cap	PBT (black) or ABS metallized (nickel plated), flame protection per UL 94-V0
Seal	Silicone (red)
Protection cap	PE (black)

Technical alterations are subject to change without notice.

# RJ45 INSTALLATION HOUSING SET

## Inline socket connector version

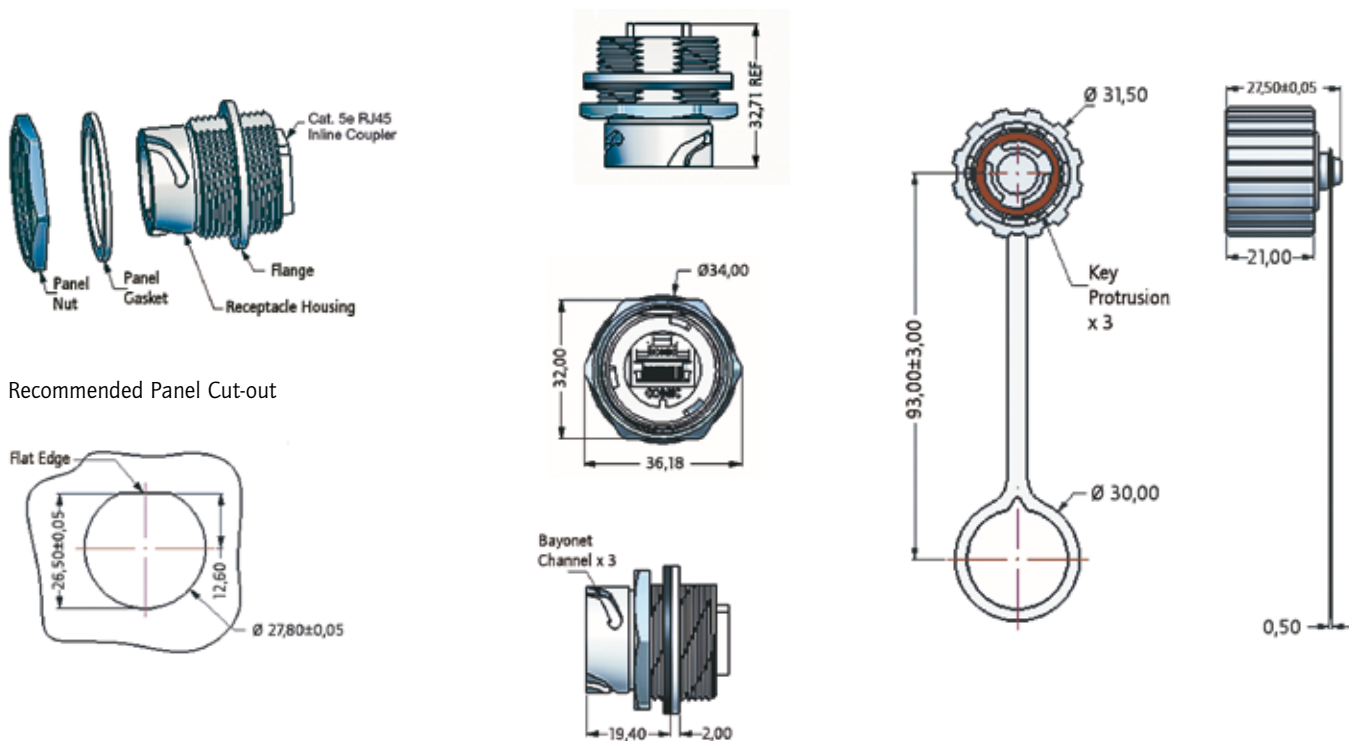


RoHS compliant

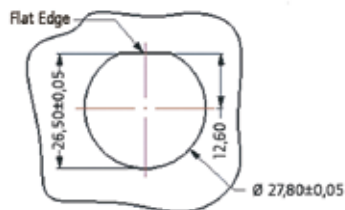
### DESCRIPTION

- For front- or rear panel mounting up to wall thickness of .013"/3.2 mm
- Design: Black plastic or metallized plastic
- Unshielded RJ45 Inline socket connector or shielded RJ45 Inline socket connector Cat.5e
- Available as a set with protection cap

### PRODUCT DRAWING



### Recommended Panel Cut-out



### ORDER DATA

Type	Material	RJ45 Cat.5e design	Protection cap	Part Number
Housing	Black plastic	Inline socket connector shielded		17-10009
Housing	Black plastic	Inline socket connector unshielded		17-10019
Housing	Metallized plastic	Inline socket connector shielded		17-10012
Housing	Black plastic	Inline socket connector shielded	With protection cap	17-10000
Housing	Black plastic	Inline socket connector unshielded	With protection cap	17-10020
Housing	Metallized plastic	Inline socket connector shielded	With protection cap	17-10011

# RJ45 INSTALLATION HOUSING SET

## Insulation displacement termination version

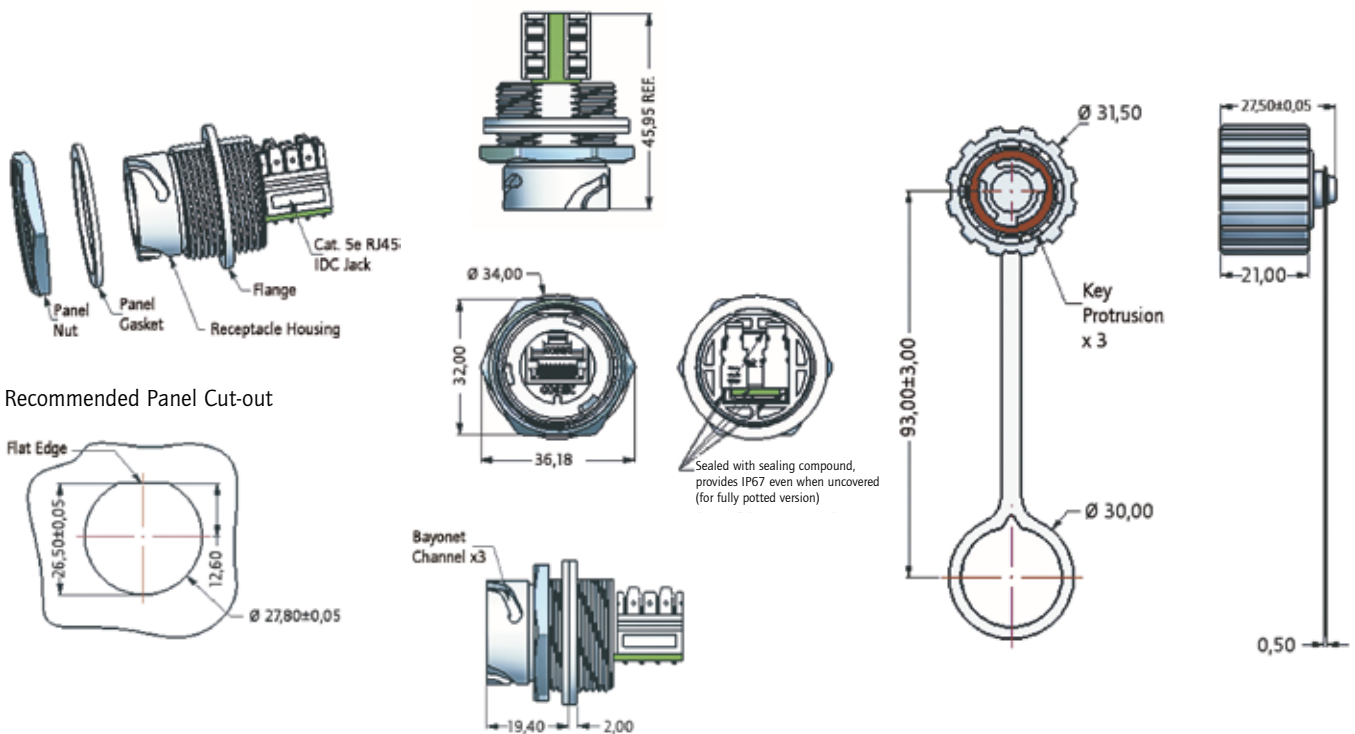


RoHS compliant

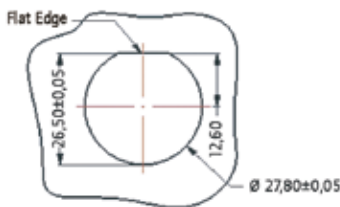
### DESCRIPTION

- For front or rear panel mounting up to wall thickness of .013"/3.2 mm
- Design: Black plastic or metallized plastic
- Shielded RJ45 plug connector, insulation displacement termination (IDC) Cat.5e
- Available as a set with protection cap

### PRODUCT DRAWING



### Recommended Panel Cut-out



### ORDER DATA

Type	Material	RJ45 Cat.5e design	Sealing	Protection cap	Part Number
Housing	Black plastic	Socket IDC-termination / Shielded			17-10015
Housing	Metallized plastic	Socket IDC-termination / Shielded			17-10016
Housing	Black plastic	Socket IDC-termination / Shielded	Sealing compound		17-10033
Housing	Metallized plastic	Socket IDC-termination / Shielded	Sealing compound		17-10034
Housing	Black plastic	Socket IDC-termination / Shielded		With protection cap	17-10021
Housing	Metallized plastic	Socket IDC-termination / Shielded		With protection cap	17-10022
Housing	Black plastic	Socket IDC-termination / Shielded	Sealing compound	With protection cap	17-10037
Housing	Metallized plastic	Socket IDC-termination / Shielded	Sealing compound	With protection cap	17-10038

# RJ45 INSTALLATION HOUSING SET

## Solder termination (PCB)

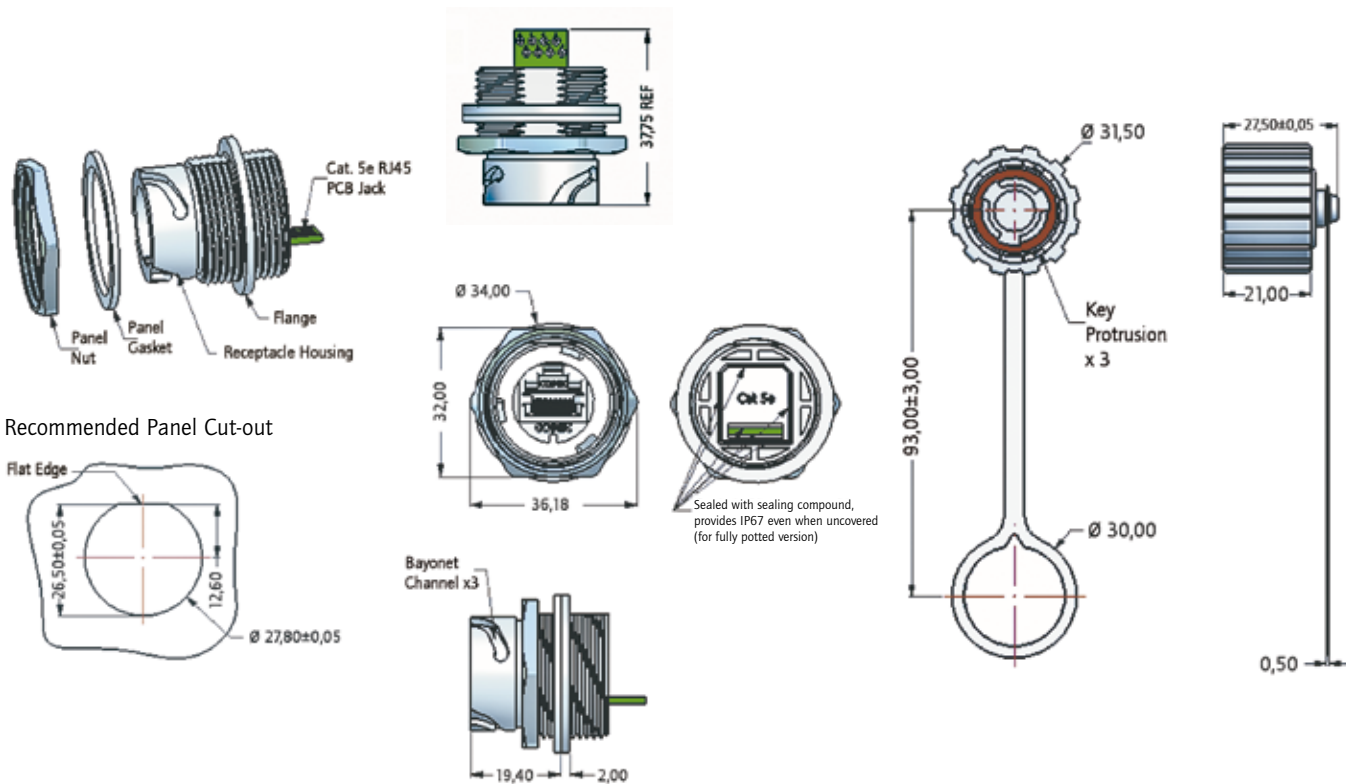


RoHS compliant

### DESCRIPTION

- For front or rear panel mounting up to wall thickness of .013"/3.2 mm
- Design: Black plastic or metallized plastic
- Solder termination to shielded RJ45 Inline socket connector Cat. 5e
- Available as a set with protection cap

### PRODUCT DRAWING

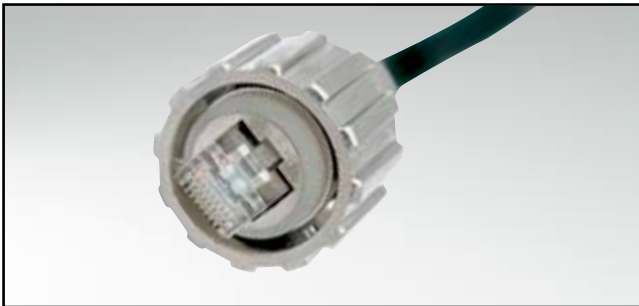


### ORDER DATA

Type	Material	RJ45 Cat.5e design	Sealing	Protection cap	Part Number
Housing	Black plastic	Socket Solder termination /Shielded			17-10017
Housing	Metallized plastic	Socket Solder termination /Shielded			17-10018
Housing	Black plastic	Socket Solder termination /Shielded	Sealing compound		17-10035
Housing	Metallized plastic	Socket Solder termination /Shielded	Sealing compound		17-10036
Housing	Black plastic	Socket Solder termination /Shielded		With protection cap	17-10023
Housing	Metallized plastic	Socket Solder termination /Shielded		With protection cap	17-10024
Housing	Black plastic	Socket Solder termination /Shielded	Sealing compound	With protection cap	17-10039
Housing	Metallized plastic	Socket Solder termination /Shielded	Sealing compound	With protection cap	17-10040

# RJ45 PLUG CONNECTOR SET

## Standard version

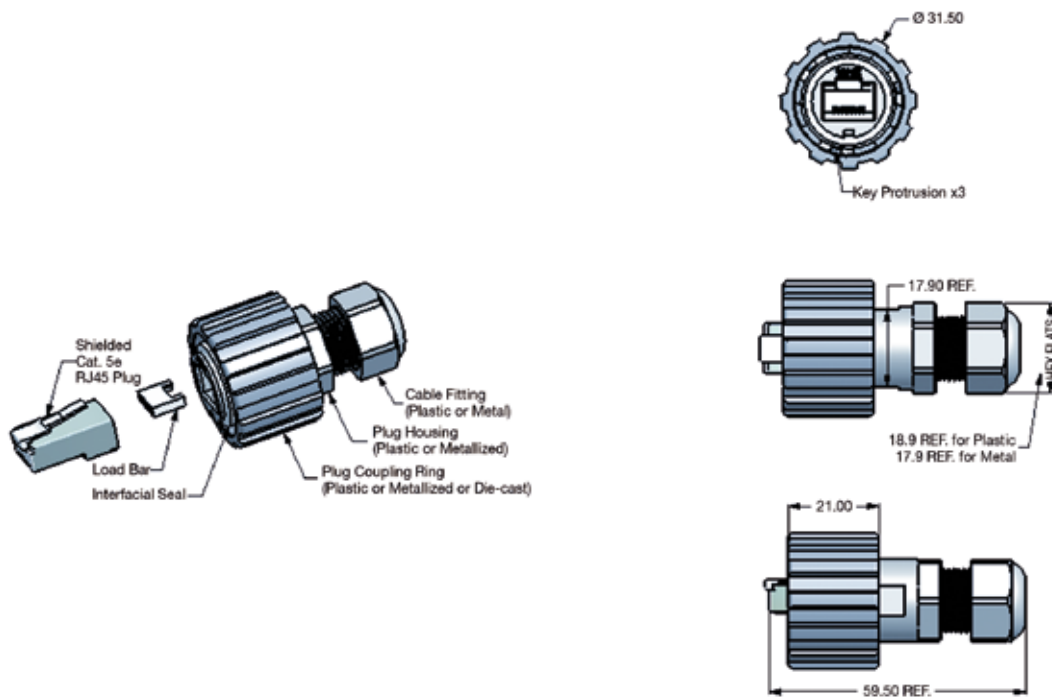


RoHS compliant

### DESCRIPTION

- Shielded RJ45 plug connector Cat.5e
- For use with solid or stranded, shielded or unshielded cable size AWG24
- Designs:
  - Housing and socket connector: black plastic
  - Housing and socket connector: metallized plastic
  - Housing: Coupling ring, die-cast version metallized plastic and black plastic

### PRODUCT DRAWING



### ORDER DATA

Type	Material	RJ45 Cat.5e design	Part Number
Plug connector set	Housing and socket connector/Black plastic	Plug connector/Shielded	17-10001
Plug connector set	Housing and socket connector/Metallized plastic	Plug connector/Shielded	17-10013
Plug connector set	Housing: Metallized plastic/Socket connector and coupling ring: zinc die-cast	Plug connector/Shielded	17-10044

# RJ45 INSTALLATION HOUSING SET

Plastic and metallized protection cap – Bayonet locking

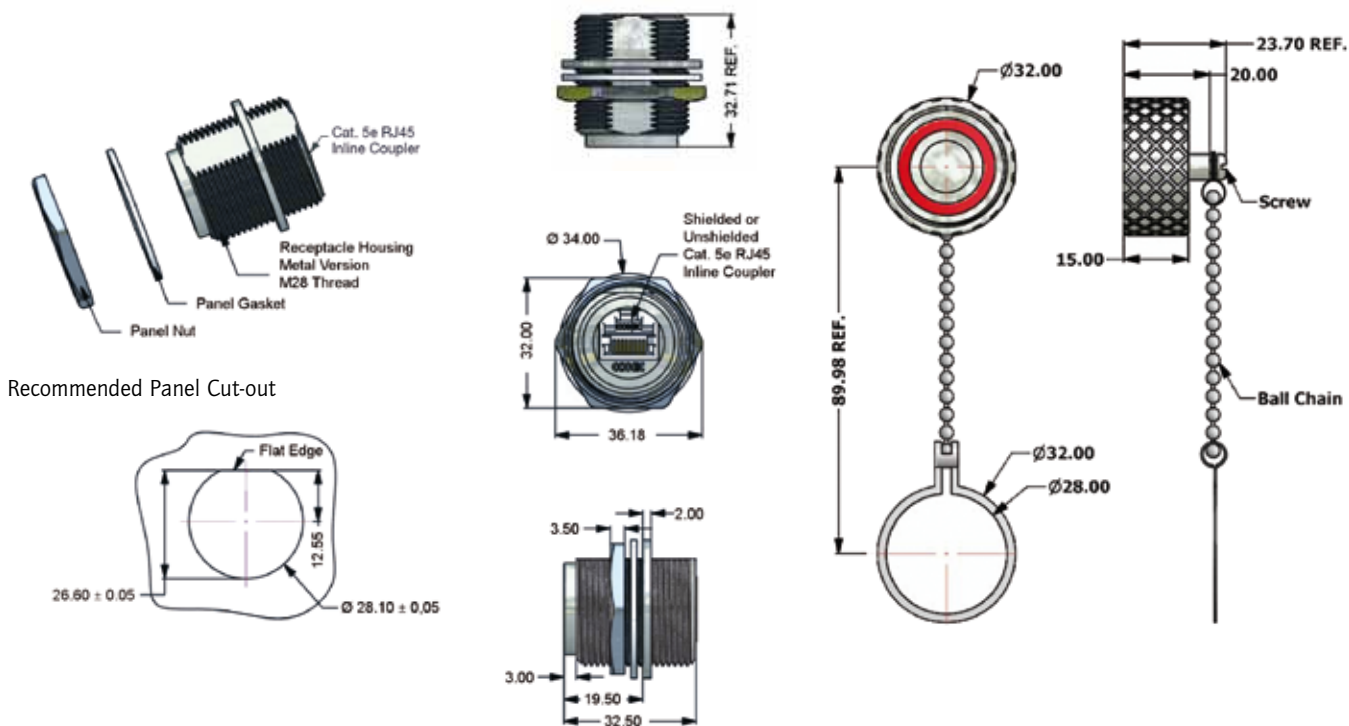


RoHS compliant

### DESCRIPTION

- For front or rear panel mounting up to wall thickness of .013"/3.2 mm
- Metal version, brass nickel plated, M28 threaded connection
- Unshielded RJ45 Inline socket connector or shielded RJ45 Inline socket connector Cat.5e
- Protection cap M28 threaded termination
- Available as a set with protection cap

### PRODUCT DRAWING



### ORDER DATA

Type	Material	RJ45 Cat.5e design	Protection cap	Part Number
Housing	Metal	Inline socket connector shielded		17-100934
Housing	Metal	Inline socket connector unshielded		17-101494
Housing	Metal	Inline socket connector shielded	With protection cap	17-101604
Housing	Metal	Inline socket connector unshielded	With protection cap	17-101614

# RJ45 PLUG CONNECTOR SET

Metal version – M28 threaded termination

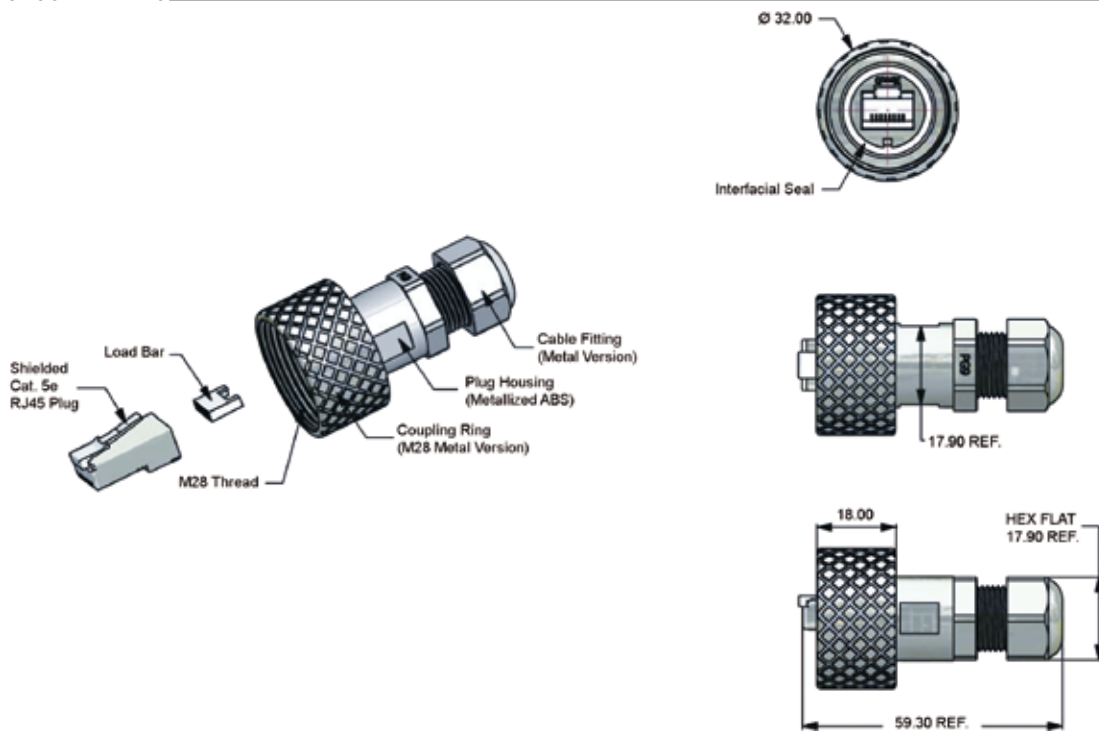


RoHS compliant

## DESCRIPTION

- Shielded RJ45 plug connector Cat.5e
- For use with solid or stranded, shielded or unshielded cable size AWG24
- Metal connector fastening ring, M28 thread
- Housing: Metallized plastic

## PRODUCT DRAWING



## ORDER DATA

Type	Material	RJ45 Cat.5e design	Part Number
Plug connector set	Metal housing / Coupling ring	Plug connector / Shielded	17-100944

# RJ45 PLUG CONNECTOR SET

## M28 threaded termination – Plastic strain relief version

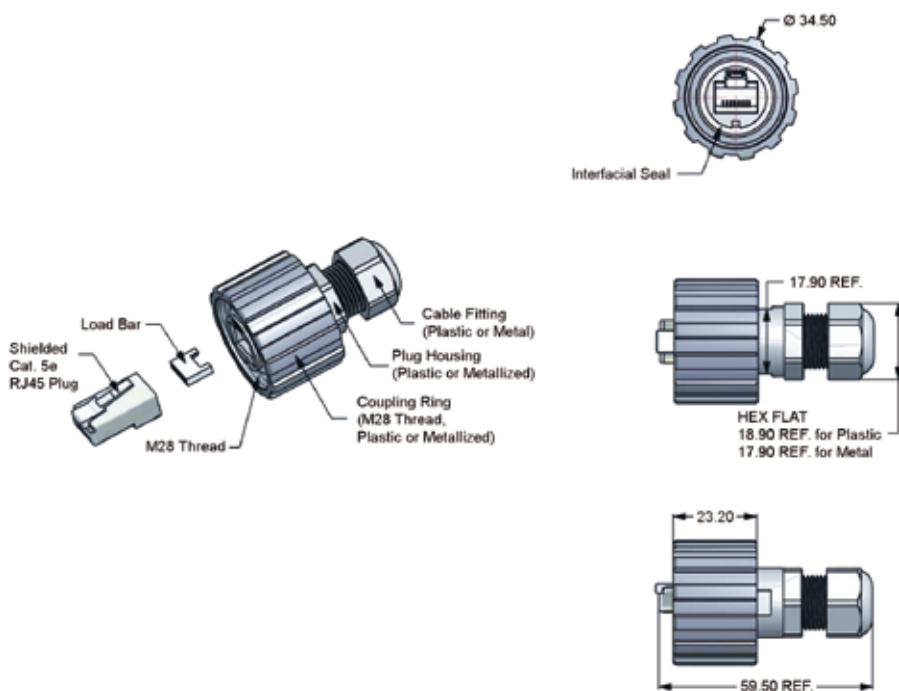


RoHS compliant

### DESCRIPTION

- Shielded RJ45 plug connector Cat.5e
- For use with solid or stranded, shielded or unshielded cable size AWG24
- Threaded connection for application inside of enclosure (IP20)
- Designs:
  - M28 Housing and socket connector black plastic
  - M28 Housing and socket connector metallized plastic

### PRODUCT DRAWING

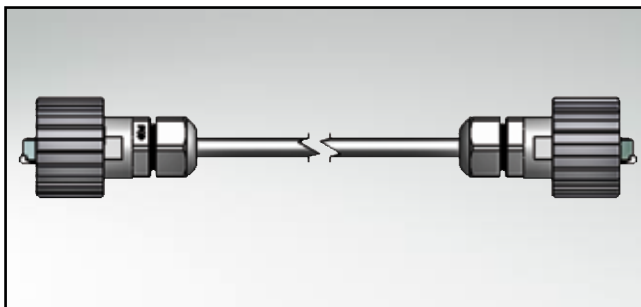


### ORDER DATA

Type	Material	RJ45 Cat.5e design	Part Number
Plug connector set	Housing and socket connector: Black plastic	Plug connector / Shielded	17-100464
Plug connector set	Housing and socket connector: Metallized plastic	Plug connector / Shielded	17-100474

# RJ45 PATCH CORD

IP67 to IP67 – Plastic design – Bayonet plug connector

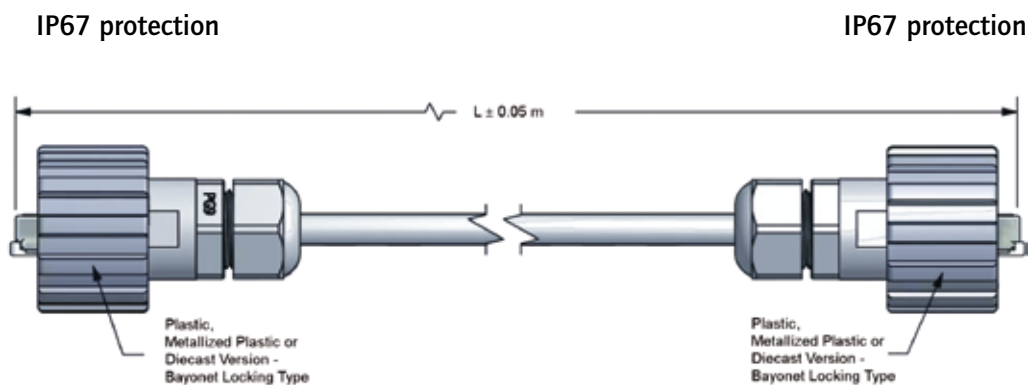


RoHS compliant

## DESCRIPTION

- Field attachable patch cord
- 2 x Industrial RJ45-IP67
- Designs:
  - Housing and plug connector: Black plastic; Cable UTP\* black
  - Housing and plug connector: Metallized plastic; Cable STP\*\* black
  - Housing: Metallized plastic plug connector and screw connection zinc die-cast, cable: STP\*\* black
- Outdoor version with cable "Drain wire" and "Waterproof tape"
- Special lengths on request

## PRODUCT DRAWING



UTP= \* unshielded twisted pair  
STP= \*\* shielded twisted pair

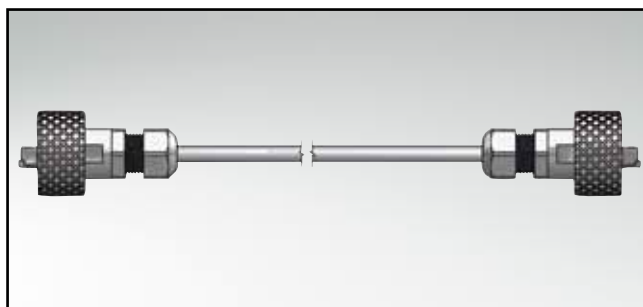
## ORDER DATA

Type Standard	Degree of protection	Material	Cable	Length (L)	Part Number
Patch cord	IP67 / IP67	Black plastic	UTP / Unshielded	2 m	17-10003
Patch cord	IP67 / IP67	Black plastic	UTP / Unshielded	4 m	17-10004
Patch cord	IP67 / IP67	Black plastic	UTP / Unshielded	5 m	17-10005
Patch cord	IP67 / IP67	Metallized plastic	STP / Shielded	2 m	17-10025
Patch cord	IP67 / IP67	Metallized plastic	STP / Shielded	4 m	17-10026
Patch cord	IP67 / IP67	Metallized plastic	STP / Shielded	5 m	17-10027
Patch cord	IP67 / IP67	Metallized plastic / Plug connector and screw connection: zinc die-cast	STP / Shielded	2 m	17-100514
Patch cord	IP67 / IP67	Metallized plastic / Plug connector and screw connection: zinc die-cast	STP / Shielded	4 m	17-100524
Patch cord	IP67 / IP67	Metallized plastic / Plug connector and screw connection: zinc die-cast	STP / Shielded	5 m	17-100534

Type Outdoor	Degree of protection	Material	Cable	Length (L)	Part Number
Patch cord	IP67 / IP67	Black plastic	UTP / Unshielded	2 m	17-101144
Patch cord	IP67 / IP67	Black plastic	UTP / Unshielded	4 m	17-101154
Patch cord	IP67 / IP67	Black plastic	UTP / Unshielded	5 m	17-101164
Patch cord	IP67 / IP67	Metallized plastic	STP / Shielded	2 m	17-101174
Patch cord	IP67 / IP67	Metallized plastic	STP / Shielded	4 m	17-101184
Patch cord	IP67 / IP67	Metallized plastic	STP / Shielded	5 m	17-101194
Patch cord	IP67 / IP67	Metallized plastic / Plug connector and screw connection: zinc die-cast	STP / Shielded	2 m	17-101204
Patch cord	IP67 / IP67	Metallized plastic / Plug connector and screw connection: zinc die-cast	STP / Shielded	4 m	17-101214
Patch cord	IP67 / IP67	Metallized plastic / Plug connector and screw connection: zinc die-cast	STP / Shielded	5 m	17-101224

# RJ45 PATCH CORD

IP67 to IP67 – Metal design – M28 plug connector screw termination

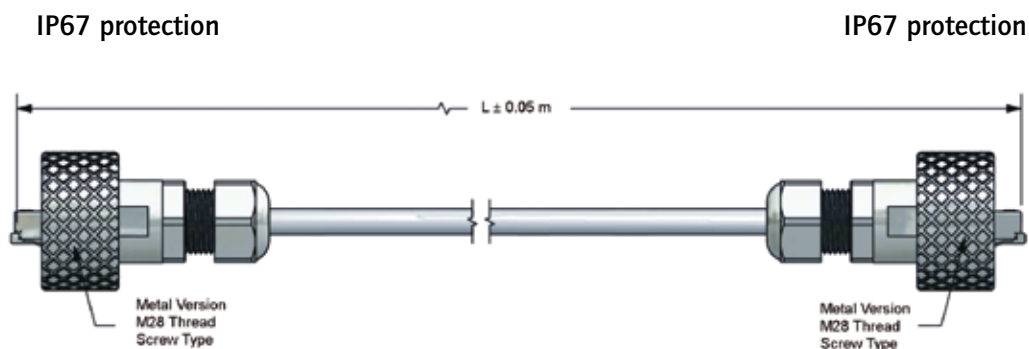


RoHS compliant

## DESCRIPTION

- Field attachable patch cable
- 2 x Metal Industrial RJ45-IP67
- Designs:
  - Metal socket coupling ring Metal, M28 thread; Housing Metallized plastic; Cable UTP\* black
  - Metal socket coupling ring Metal, M28 thread; Housing Metallized plastic; Cable STP\*\* black
- Outdoor version with cable "Drain wire" and "Waterproof tape"
- Special lengths on request

## PRODUCT DRAWING



UTP= \* unshielded twisted pair  
STP= \*\* shielded twisted pair

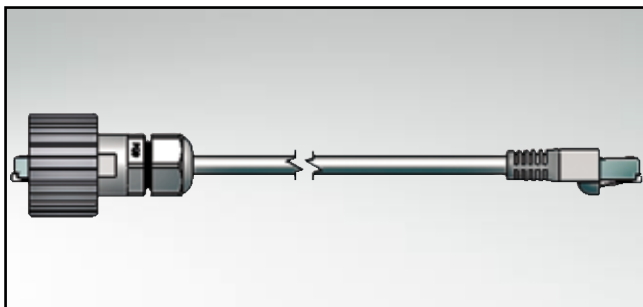
## ORDER DATA

Type Standard	Degree of protection	Material	Cable	Length (L)	Part Number
Patch cord	IP67/IP67	M28 Metal plug coupling ring/Housing metallized plastic	STP/Shielded	2 m	17-100994
Patch cord	IP67/IP67	M28 Metal plug coupling ring/Housing metallized plastic	STP/Shielded	4 m	17-101004
Patch cord	IP67/IP67	M28 Metal plug coupling ring/Housing metallized plastic	STP/Shielded	5 m	17-101014

Type Outdoor	Degree of protection	Material	Cable	Length (L)	Part Number
Patch cord	IP67/IP67	M28 Metal plug coupling ring/Housing metallized plastic	UTP/Unshielded	2 m	17-101084
Patch cord	IP67/IP67	M28 Metal plug coupling ring/Housing metallized plastic	UTP/Unshielded	4 m	17-101094
Patch cord	IP67/IP67	M28 Metal plug coupling ring/Housing metallized plastic	UTP/Unshielded	5 m	17-101104
Patch cord	IP67/IP67	M28 Metal plug coupling ring/Housing metallized plastic	STP/Shielded	2 m	17-101114
Patch cord	IP67/IP67	M28 Metal plug coupling ring/Housing metallized plastic	STP/Shielded	4 m	17-101124
Patch cord	IP67/IP67	M28 Metal plug coupling ring/Housing metallized plastic	STP/Shielded	5 m	17-101134

# RJ45 PATCH CORD

IP67 to IP20 – Plastic design – Bayonet plug connector

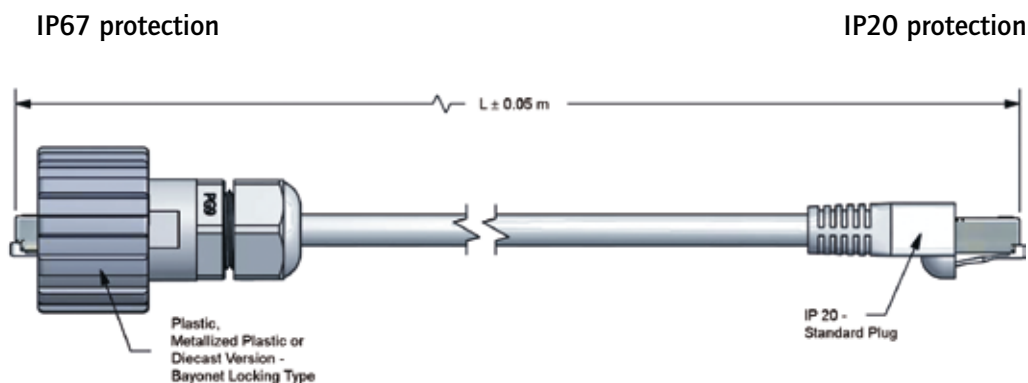


RoHS compliant

## DESCRIPTION

- Field attachable patch cord
- 1 x Industrial RJ45-IP67 – 1 x Standard RJ45-IP20
- Designs:
  - Housing and plug connector: Black plastic; Cable: UTP\* black
  - Housing and plug connector: Metallized plastic; Cable: STP\*\* black
  - Housing: Metallized plastic; plug connector and screw connection zinc die-cast; Cable STP\*\* black
- Outdoor version with cable "Drain wire" and "Waterproof tape"
- Special lengths on request

## PRODUCT DRAWING



UTP= \* unshielded twisted pair  
STP= \*\* shielded twisted pair

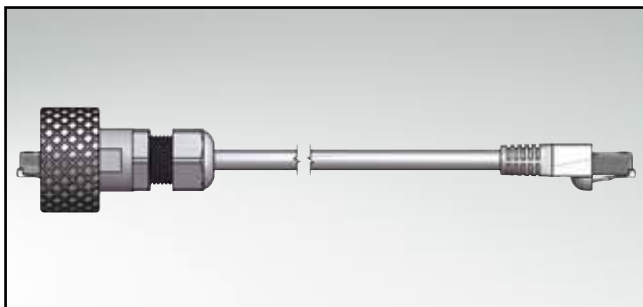
## ORDER DATA

Type Standard	Degree of protection	Material	Cable	Length (L)	Part Number
Patch cord	IP67 / IP20	Black plastic	UTP / Unshielded	2 m	17-10006
Patch cord	IP67 / IP20	Black plastic	UTP / Unshielded	4 m	17-10007
Patch cord	IP67 / IP20	Black plastic	UTP / Unshielded	5 m	17-10008
Patch cord	IP67 / IP20	Metallized plastic	STP / Shielded	2 m	17-10028
Patch cord	IP67 / IP20	Metallized plastic	STP / Shielded	4 m	17-10029
Patch cord	IP67 / IP20	Metallized plastic	STP / Shielded	5 m	17-10030
Patch cord	IP67 / IP20	Metallized plastic / Plug connector and screw connection: zinc die-cast	STP / Shielded	2 m	17-101264
Patch cord	IP67 / IP20	Metallized plastic / Plug connector and screw connection: zinc die-cast	STP / Shielded	4 m	17-101274
Patch cord	IP67 / IP20	Metallized plastic / Plug connector and screw connection: zinc die-cast	STP / Shielded	5 m	17-101284

Type Outdoor	Degree of protection	Material	Cable	Length (L)	Part Number
Patch cord	IP67 / IP20	Black plastic	UTP / Unshielded	2 m	17-101234
Patch cord	IP67 / IP20	Black plastic	UTP / Unshielded	4 m	17-101244
Patch cord	IP67 / IP20	Black plastic	UTP / Unshielded	5 m	17-101254
Patch cord	IP67 / IP20	Metallized plastic	STP / Shielded	2 m	17-101264
Patch cord	IP67 / IP20	Metallized plastic	STP / Shielded	4 m	17-101274
Patch cord	IP67 / IP20	Metallized plastic	STP / Shielded	5 m	17-101284
Patch cord	IP67 / IP20	Metallized plastic / Plug connector and screw connection: zinc die-cast	STP / Shielded	2 m	17-101294
Patch cord	IP67 / IP20	Metallized plastic / Plug connector and screw connection: zinc die-cast	STP / Shielded	4 m	17-101304
Patch cord	IP67 / IP20	Metallized plastic / Plug connector and screw connection: zinc die-cast	STP / Shielded	5 m	17-101314

# RJ45 PATCH CORD

IP67 to IP20 – Metal design – M28 plug connector screw termination

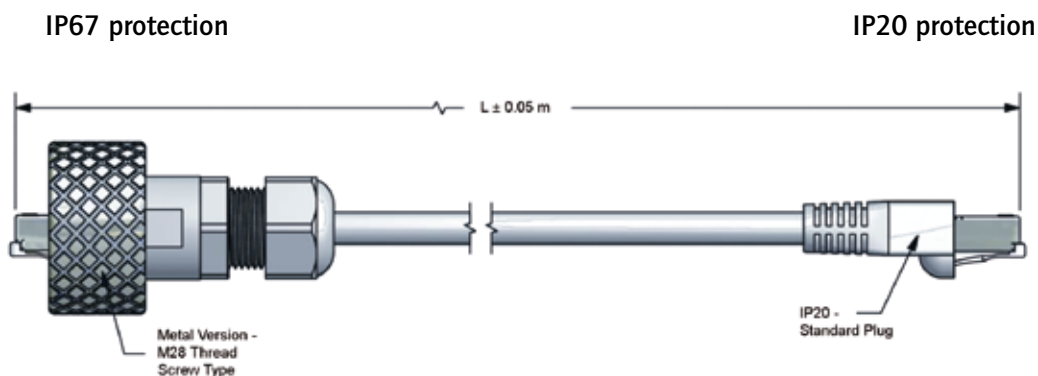


RoHS compliant

### DESCRIPTION

- Field attachable patch cord
- 1 x Metal Industrial RJ45-IP67 – 1 x Standard RJ45-IP20
- Designs:
  - Metal plug coupling ring, M28 thread; Housing metallized plastic; Cable UTP\* black
  - Metal plug coupling ring, M28 thread; Housing metallized plastic; Cable STP\*\* black
- Outdoor version with cable "Drain wire" and "Waterproof tape"
- Special lengths on request

### PRODUCT DRAWING



UTP= \* unshielded twisted pair  
STP= \*\* shielded twisted pair

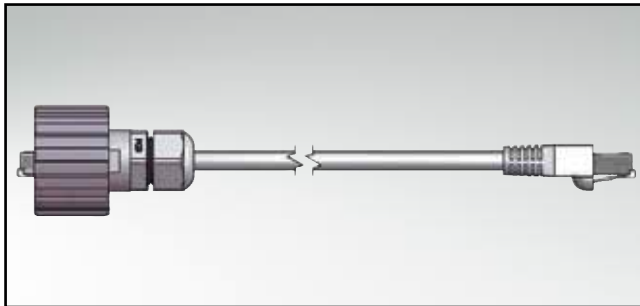
### ORDER DATA

Type Standard	Degree of protection	Material	Cable	Length (L)	Part Number
Patch cord	IP67/IP20	M28 Metal plug coupling ring/Housing metallized plastic	STP/Shielded	2 m	17-100964
Patch cord	IP67/IP20	M28 Metal plug coupling ring/Housing metallized plastic	STP/Shielded	4 m	17-100974
Patch cord	IP67/IP20	M28 Metal plug coupling ring/Housing metallized plastic	STP/Shielded	5 m	17-100984

Type Outdoor	Degree of protection	Material	Cable	Length (L)	Part Number
Patch cord	IP67/IP20	M28 Metal plug coupling ring/Housing metallized plastic	UTP/Unshielded	2 m	17-101024
Patch cord	IP67/IP20	M28 Metal plug coupling ring/Housing metallized plastic	UTP/Unshielded	4 m	17-101034
Patch cord	IP67/IP20	M28 Metal plug coupling ring/Housing metallized plastic	UTP/Unshielded	5 m	17-101044
Patch cord	IP67/IP20	M28 Metal plug coupling ring/Housing metallized plastic	STP/Shielded	2 m	17-101054
Patch cord	IP67/IP20	M28 Metal plug coupling ring/Housing metallized plastic	STP/Shielded	4 m	17-101064
Patch cord	IP67/IP20	M28 Metal plug coupling ring/Housing metallized plastic	STP/Shielded	5 m	17-101074

# RJ45 PATCH CORD

IP20 to IP20 – Plastic design – M28 screw termination

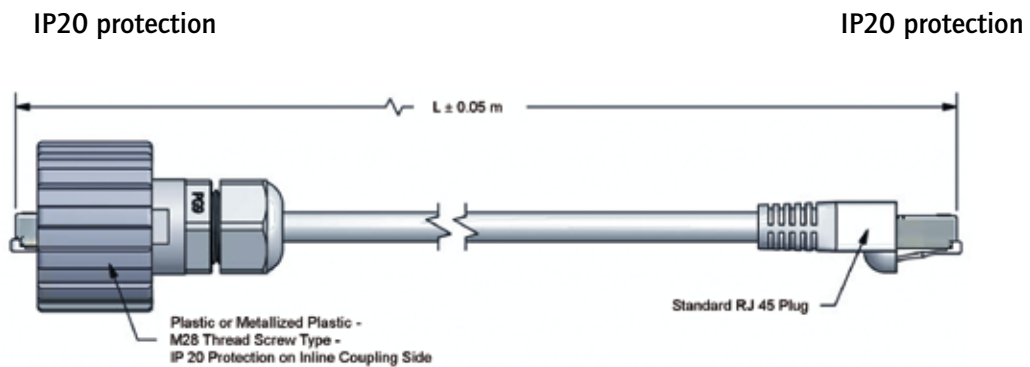


RoHS compliant

## DESCRIPTION

- Field attachable patch cord
- 1 x Industrial RJ45 plug connector for screw termination (IP20)  
1 x Standard RJ45 (IP20)
- Designs:
  - Housing and plug connector black plastic; Cable UTP\* black
  - Housing and plug connector metallized plastic; Cable STP\*\* black
- Special lengths on request

## PRODUCT DRAWING



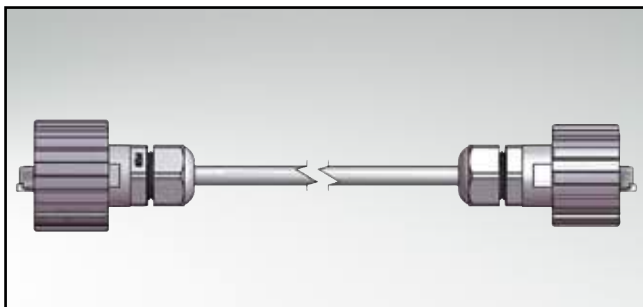
UTP= \* unshielded twisted pair  
STP= \*\* shielded twisted pair

## ORDER DATA

Type Standard	Degree of protection	Material	Cable	Length (L)	Part Number
Patch cord	IP20/IP20	Black plastic	UTP/Unshielded	2 m	17-100574
Patch cord	IP20/IP20	Black plastic	UTP/Unshielded	4 m	17-100584
Patch cord	IP20/IP20	Black plastic	UTP/Unshielded	5 m	17-100594
Patch cord	IP20/IP20	Metallized plastic	STP/Shielded	2 m	17-100604
Patch cord	IP20/IP20	Metallized plastic	STP/Shielded	4 m	17-100614
Patch cord	IP20/IP20	Metallized plastic	STP/Shielded	5 m	17-100624

# RJ45 PATCH CORD

IP20 to IP67 – One side M28 threaded and one side bayonet locking

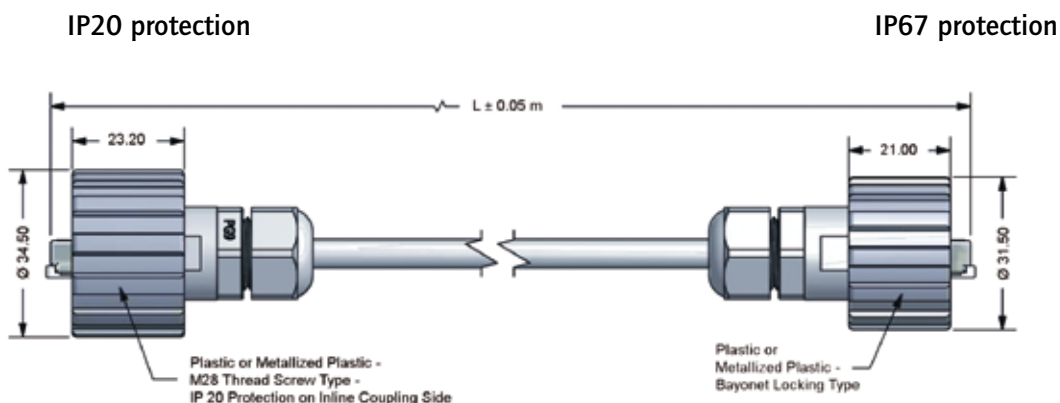


RoHS compliant

### DESCRIPTION

- Field attachable patch cord
- 1x RJ45 IP67 plug connector with bayonet locking
- 1x RJ45 IP67 plug connector with M28 coupling RWG
- Designs:
  - Housing and socket connector black plastic; Cable UTP\* black
  - Housing and socket connector metallized plastic; Cable STP\*\* black
- Outdoor version with cable "Drain wire" and "Waterproof tape"
- Special lengths on request

### PRODUCT DRAWING



UTP= \* unshielded twisted pair  
STP= \*\* shielded twisted pair

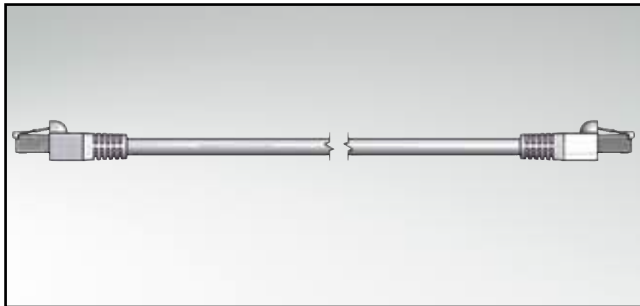
### ORDER DATA

Type Standard	Degree of protection	Material	Cable	Length (L)	Part Number
Patch cord	IP20/IP67	Black plastic	UTP/Unshielded	2 m	17-101374
Patch cord	IP20/IP67	Black plastic	UTP/Unshielded	4 m	17-101384
Patch cord	IP20/IP67	Black plastic	UTP/Unshielded	5 m	17-101394
Patch cord	IP20/IP67	Metallized plastic	STP/Shielded	2 m	17-101434
Patch cord	IP20/IP67	Metallized plastic	STP/Shielded	4 m	17-101444
Patch cord	IP20/IP67	Metallized plastic	STP/Shielded	5 m	17-101454

Type Outdoor	Degree of protection	Material	Cable	Length (L)	Part Number
Patch cord	IP20/IP67	Black plastic	UTP/Unshielded	2 m	17-101404
Patch cord	IP20/IP67	Black plastic	UTP/Unshielded	4 m	17-101414
Patch cord	IP20/IP67	Black plastic	UTP/Unshielded	5 m	17-101424
Patch cord	IP20/IP67	Metallized plastic	STP/Shielded	2 m	17-101464
Patch cord	IP20/IP67	Metallized plastic	STP/Shielded	4 m	17-101474
Patch cord	IP20/IP67	Metallized plastic	STP/Shielded	5 m	17-101484

# RJ45 PATCH CORD

IP20 to IP20

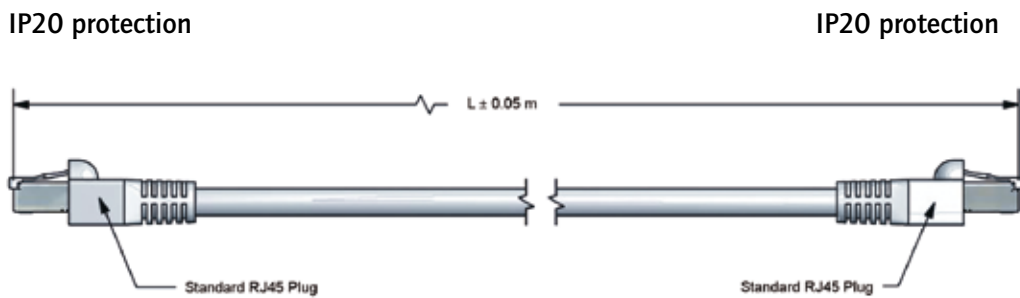


RoHS compliant

## DESCRIPTION

- Field attachable patch cord
- 2 x Standard RJ45 IP20
- Design:
  - Cat.5e RJ45 plug connector; cable STP\* black or cable UTP\*\* black
  - Additional cable colors: black, blue, red, green, yellow and white
- Special lengths on request

## PRODUCT DRAWING



UTP= \* unshielded twisted pair  
STP= \*\* shielded twisted pair

## ORDER DATA

Type Standard	Degree of protection	Cable	Colour	Length (L)	Part Number
Patch cord	IP20/IP20	STP/shielded	Black	2 m	17-101324
Patch cord	IP20/IP20	STP/shielded	Black	4 m	17-101334
Patch cord	IP20/IP20	STP/shielded	Black	5 m	17-101344
Patch cord	IP20/IP20	UTP/unshielded	Black	2 m	17-100654
Patch cord	IP20/IP20	UTP/unshielded	Black	4 m	17-100664
Patch cord	IP20/IP20	UTP/unshielded	Black	5 m	17-100674
Patch cord	IP20/IP20	UTP/unshielded	Blue	2 m	17-100684
Patch cord	IP20/IP20	UTP/unshielded	Blue	4 m	17-100694
Patch cord	IP20/IP20	UTP/unshielded	Blue	5 m	17-100704
Patch cord	IP20/IP20	UTP/unshielded	Red	2 m	17-100714
Patch cord	IP20/IP20	UTP/unshielded	Red	4 m	17-100724
Patch cord	IP20/IP20	UTP/unshielded	Red	5 m	17-100734
Patch cord	IP20/IP20	UTP/unshielded	Green	2 m	17-100744
Patch cord	IP20/IP20	UTP/unshielded	Green	4 m	17-100754
Patch cord	IP20/IP20	UTP/unshielded	Green	5 m	17-100764
Patch cord	IP20/IP20	UTP/unshielded	Yellow	2 m	17-100774
Patch cord	IP20/IP20	UTP/unshielded	Yellow	4 m	17-100784
Patch cord	IP20/IP20	UTP/unshielded	Yellow	5 m	17-100794
Patch cord	IP20/IP20	UTP/unshielded	White	2 m	17-100804
Patch cord	IP20/IP20	UTP/unshielded	White	4 m	17-100814
Patch cord	IP20/IP20	UTP/unshielded	White	5 m	17-100824

# RJ45 ACCESSORIES

## Plastic and metal cap – Protection cap



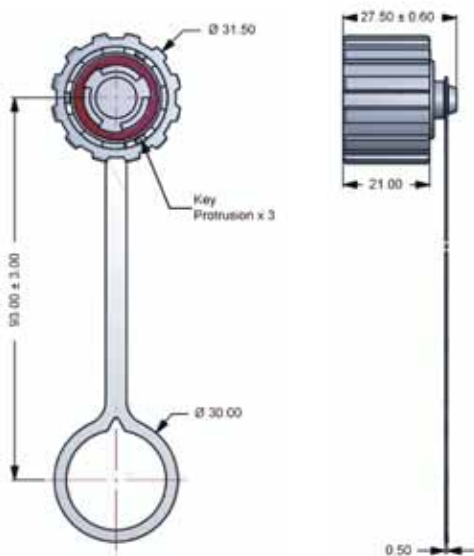
RoHS compliant

### DESCRIPTION

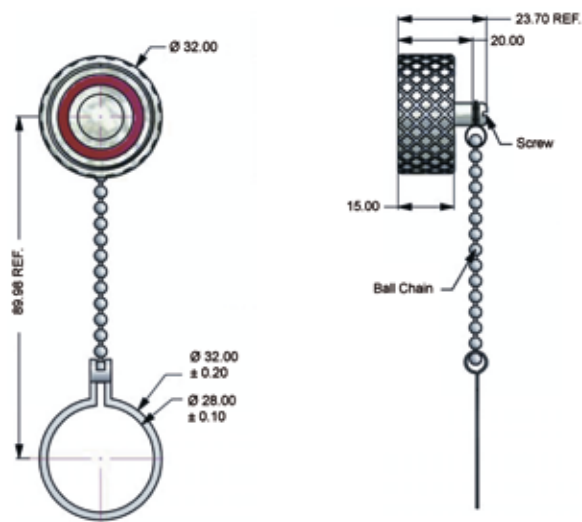
- IP67 rated
- Cap black plastic, metallized plastic with bayonet locking
- Metal cap with M28 thread

### PRODUCT DRAWING

#### Plastic or metal design – Bayonet locking



#### Metal cap – M28 thread

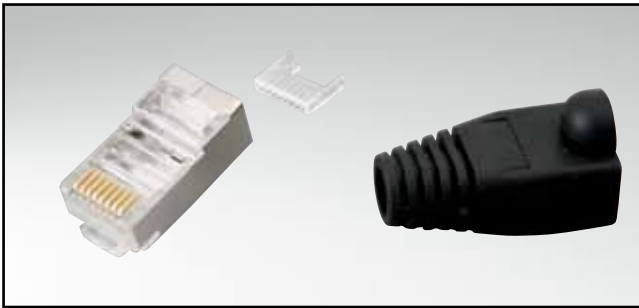


### ORDER DATA

Accessories	Part Number
Protection cap/Black plastic/Bayonet locking	17-10002
Protection cap/Metallized plastic/Bayonet locking	17-10014
Protection cap/Full metal/M28 Screw thread	17-100950

# ACCESSORIES

For RJ45 products



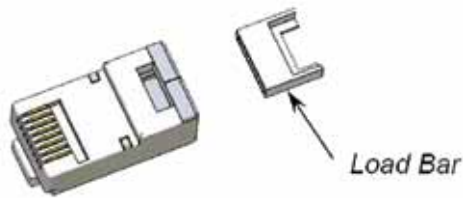
RoHS compliant

## DESCRIPTION

- RJ45 plug connector Cat. 5e shielded
- Grommets black, blue, green, yellow, red and white color

## PRODUCT DRAWING

RJ45 Cat.5e Plug connector, shielded



Grommets



## ORDER DATA

Accessories	Part Number
RJ45 Cat5e. Plug connector, shielded	391J00039 X
Plug connector grommet black	795-601302
Plug connector grommet blue	795-601303
Plug connector grommet green	795-601304
Plug connector grommet yellow	795-601305
Plug connector grommet red	795-601306
Plug connector grommet white	795-601307

# INSTALLATION TOOLS

For RJ45 products



RoHS compliant

## DESCRIPTION

- RJ45 plug connector crimp tool
- Insertion tool for RJ45 IDC version
- Cable tester

## PRODUCT DRAWING

RJ45 plug connector crimp tool



Multi-Modular cable tester



Insertion tool for RJ45 IDC version



## ORDER DATA

Tools	Part Number
Crimp tool for RJ45 plug connector	360X30029 X
Insertion tool for RJ45 insulation displacement termination version (IDC)	360X30049 X
Cable tester	360X30039 X